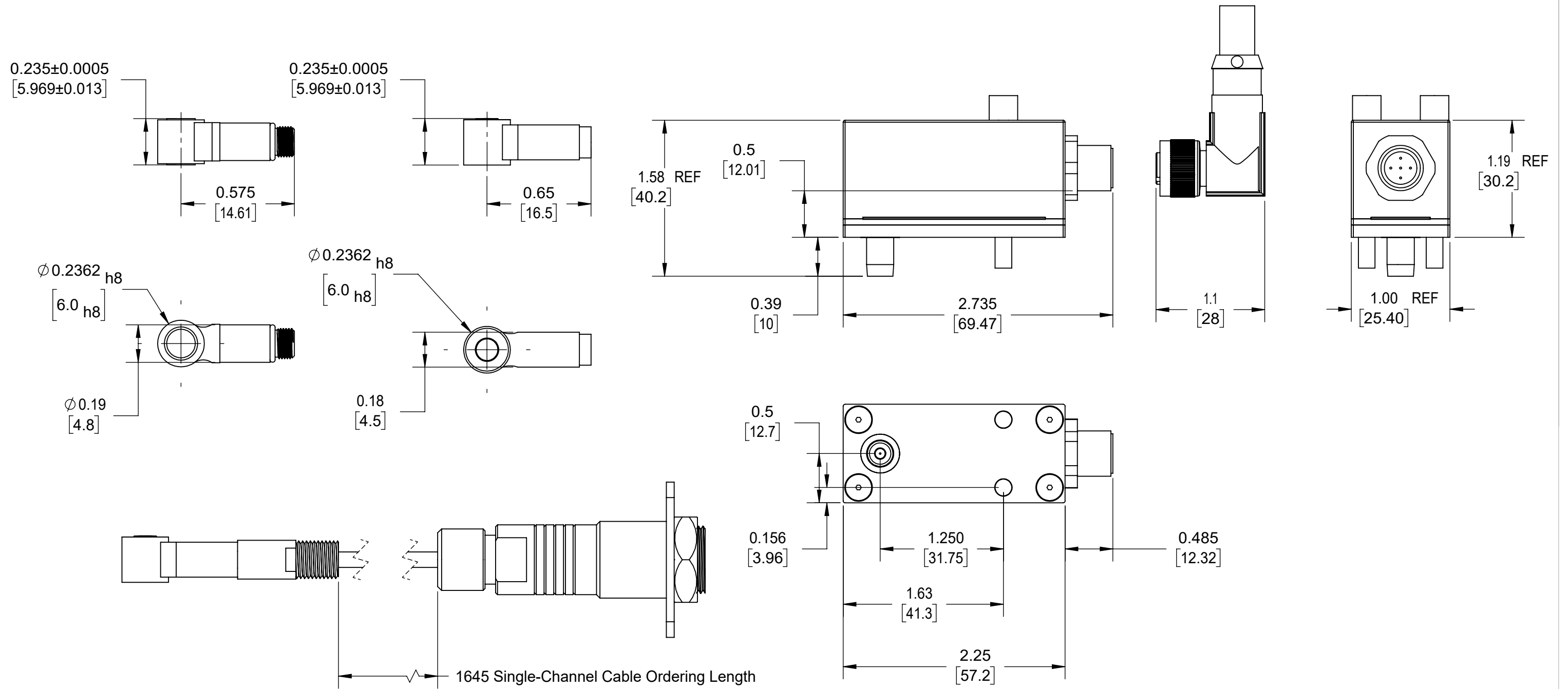



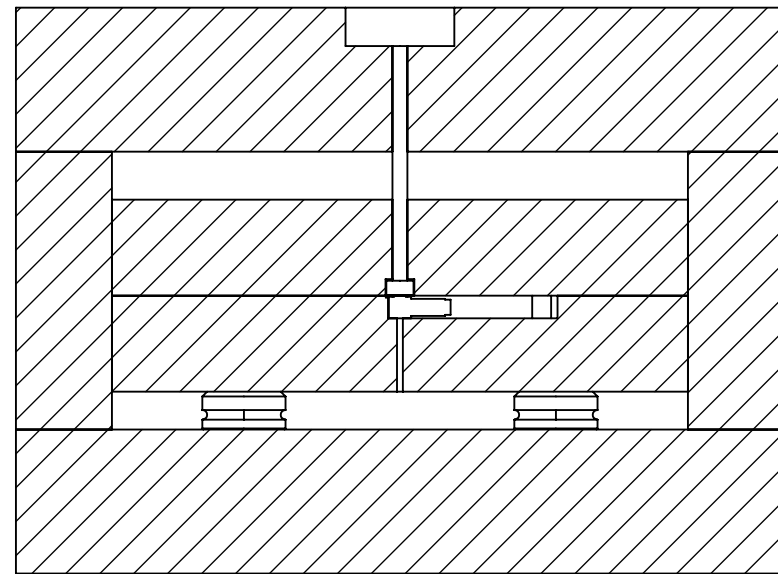
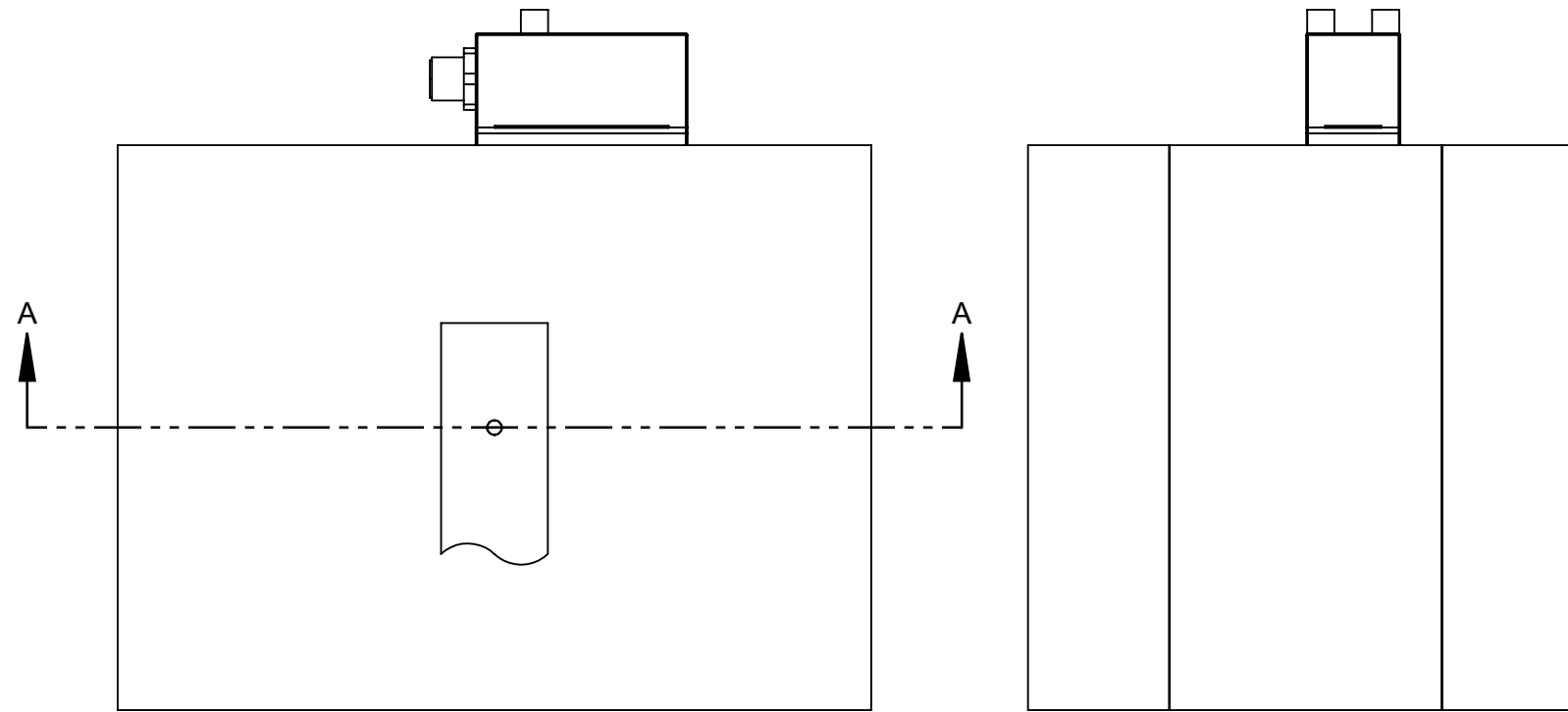
Single- or Multi-Channel 6 mm Piezoelectric Sensor 9211 Dimensions



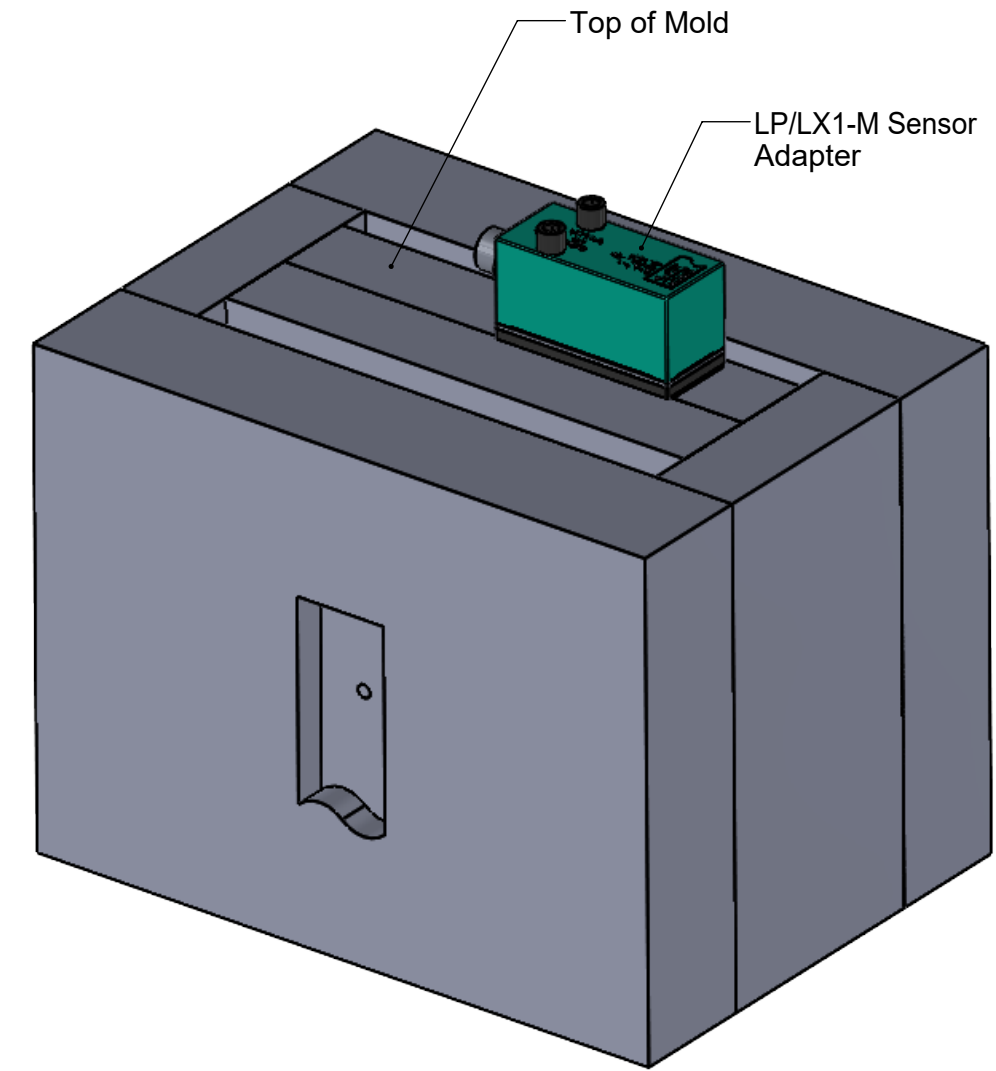
- NOTES:
1. ENCLOSED EJECTOR BOX SUGGESTED.
 2. DO NOT SCALE PRINT
 3. BREAK ALL SHARP EDGES, 0.005 [0.03] R MAX
 4. DIMENSIONS IN INCHES [MM], UNLESS NOTED
 5. TOLERANCES UNLESS SPECIFIED:
 XXX = ±0.003 [0.08]
 XX = ±0.01 [0.3]
 ANGLES = ±3° 30°

 <p>3111 Park Street, Traverse City, MI 49686 231-944-2111 WWW.RJG.COM</p>	Description: 9211 Sensor Installation
	Drawn: K.J.Brettschneider
	Design:
	Check: M.Groleau
Date: 09.05.2023	


Single-Channel 6 mm Piezoelectric Sensor 9211 Installation



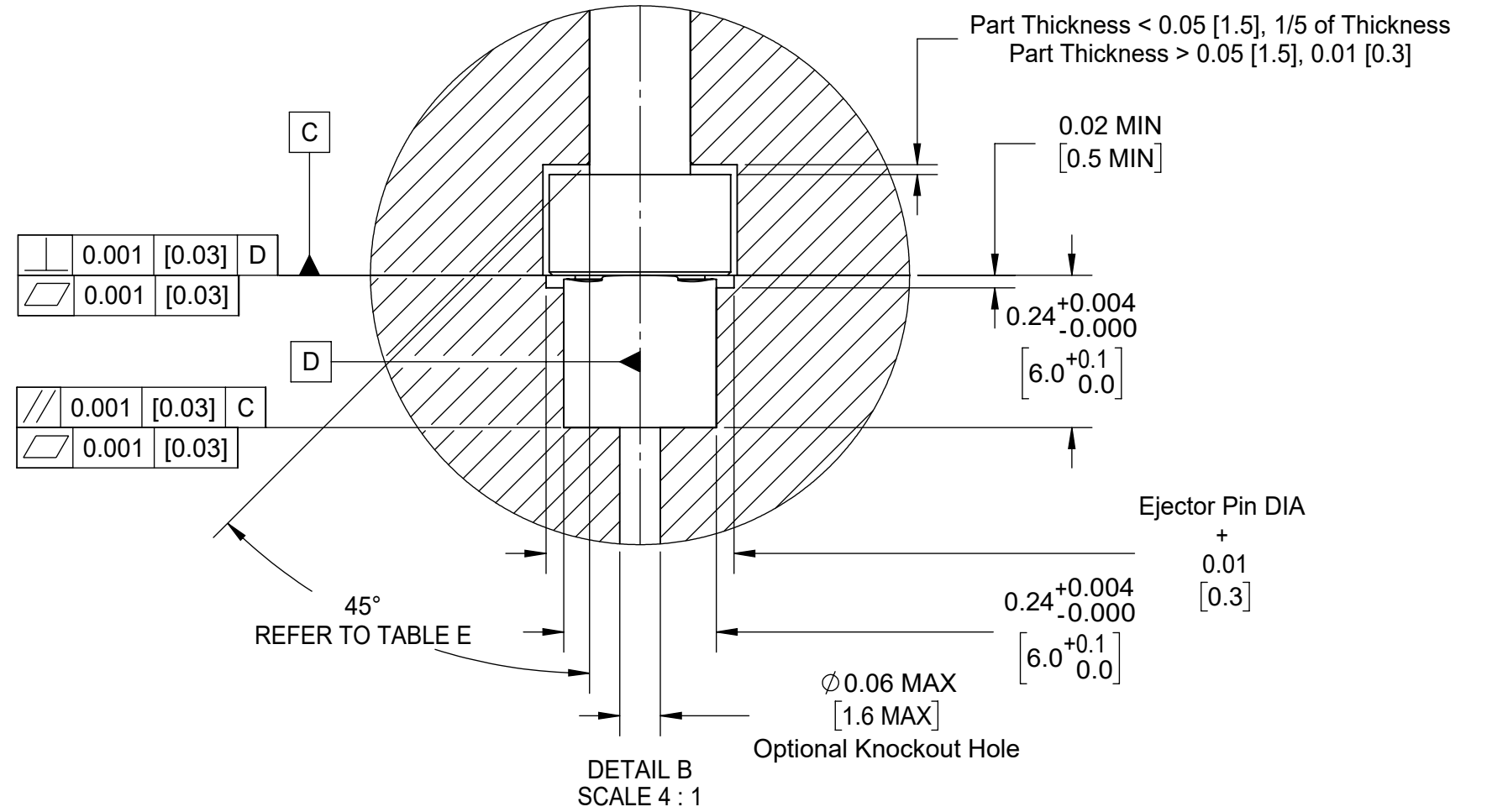
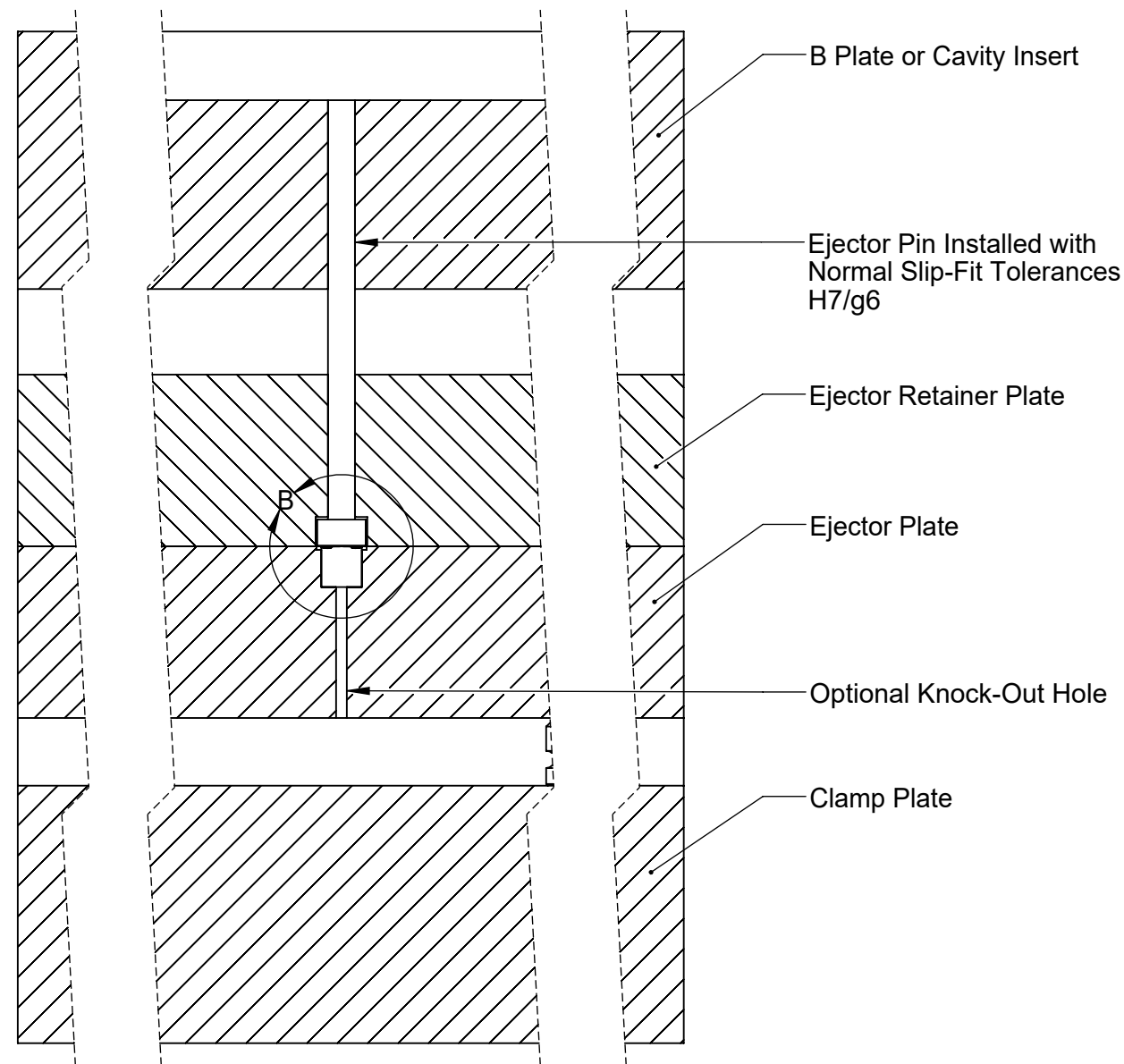
SECTION A-A
SCALE 1 : 2



- NOTES:
1. ENCLOSED EJECTOR BOX SUGGESTED.
 2. DO NOT SCALE PRINT
 3. BREAK ALL SHARP EDGES, 0.005 [0.03] R MAX
 4. DIMENSIONS IN INCHES [MM], UNLESS NOTED
 5. TOLERANCES UNLESS SPECIFIED:
 XXX = ± 0.003 [0.08]
 XX = ± 0.01 [0.3]
 ANGLES = $\pm 3^\circ$ 30°

 <p>311 Park Street, Traverso City, NJ 08086 201-244-2111 www.rjg.com</p>	Description: 9211 Sensor Installation
	Drawn: K.J.Brettschneider
	Design:
	Check: M.Groleau
Date: 09.05.2023	

Single-Channel 6 mm Piezoelectric Sensor 9211 Installation



	0.001	[0.03]	D
	0.001	[0.03]	

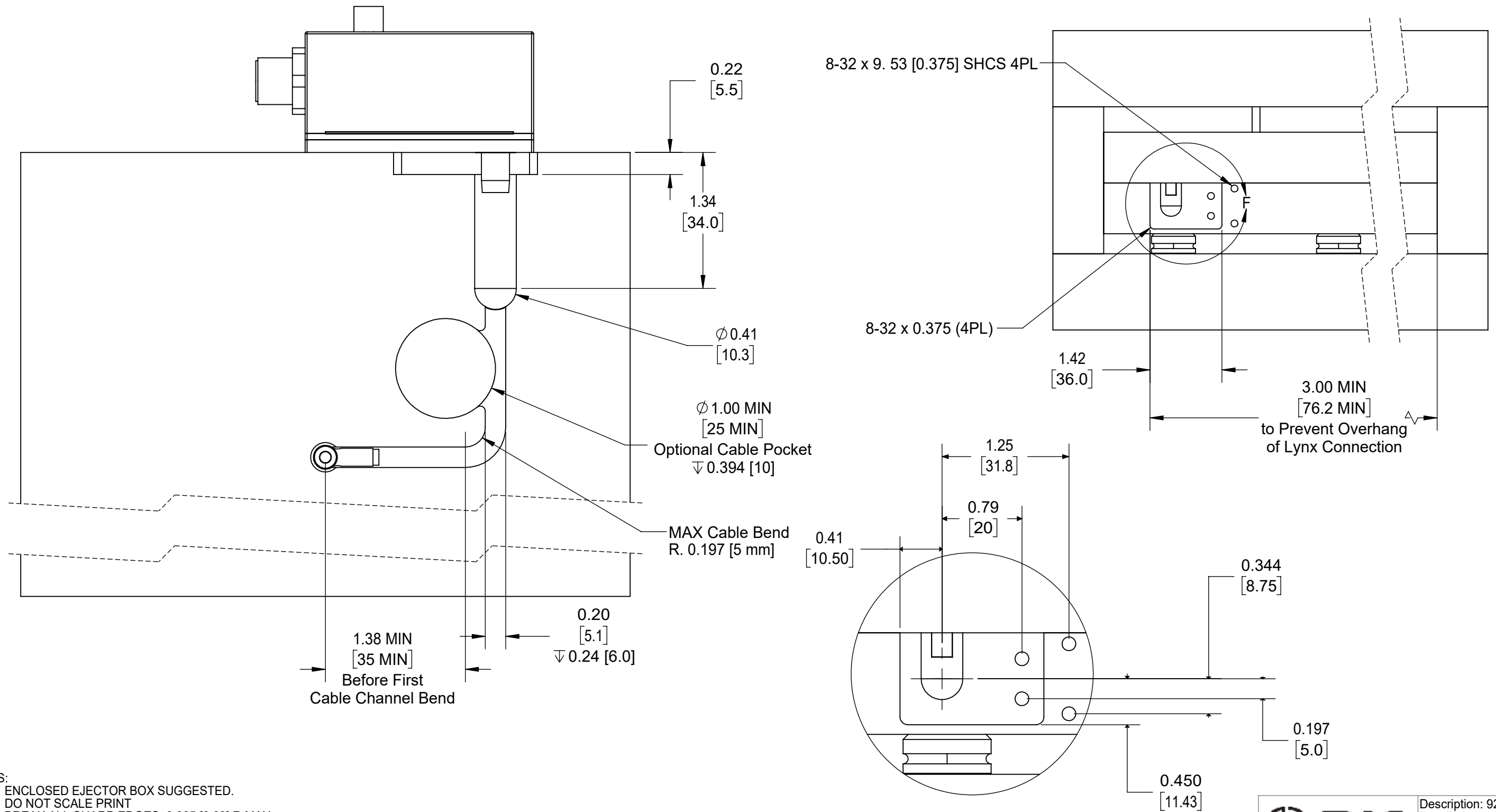
	0.001	[0.03]	C
	0.001	[0.03]	

Ejector Pin Ø	Chamfer Length
0.04–0.08 [1.0–2.0]	0.01 [0.3]
0.10–0.20 [2.5–5.0]	0.02 [0.4]
0.24–0.40 [6.0–10.0]	0.025 [0.6]

- NOTES:
1. ENCLOSED EJECTOR BOX SUGGESTED.
 2. DO NOT SCALE PRINT
 3. BREAK ALL SHARP EDGES, 0.005 [0.03] R MAX
 4. DIMENSIONS IN INCHES [MM], UNLESS NOTED
 5. TOLERANCES UNLESS SPECIFIED:
 XXX = ±0.003 [0.08]
 XX = ±0.01 [0.3]
 ANGLES = ±3° 30°


 3111 Park Street, Traverse City, MI 49606 231-944-2111 www.rjg.com	Description: 9211 Sensor Installation
	Drawn: K.J.Brettschneider
	Design:
	Check: M.Groleau
Date: 09.05.2023	

Single-Channel 6 mm Piezoelectric Sensor 9211 Installation

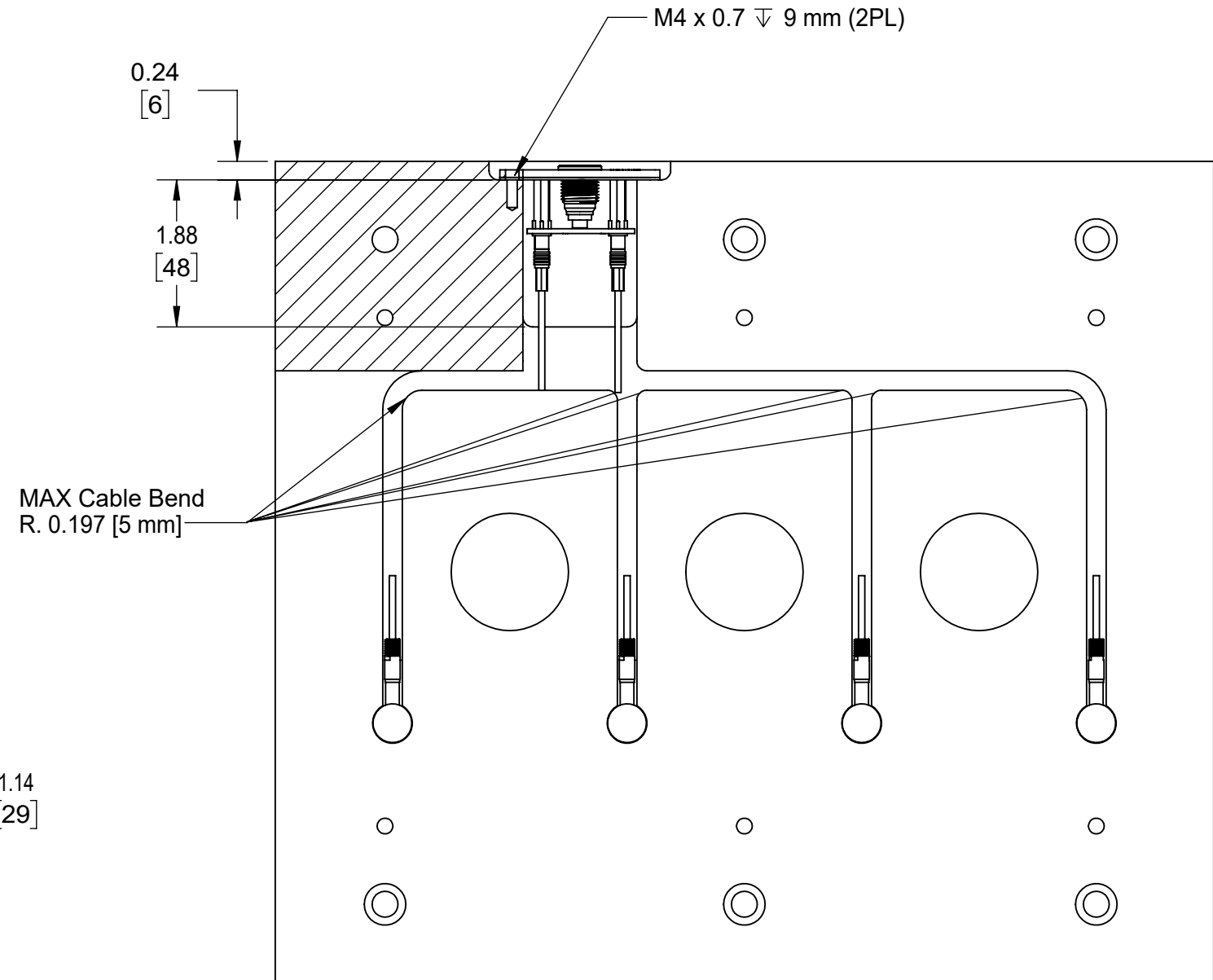
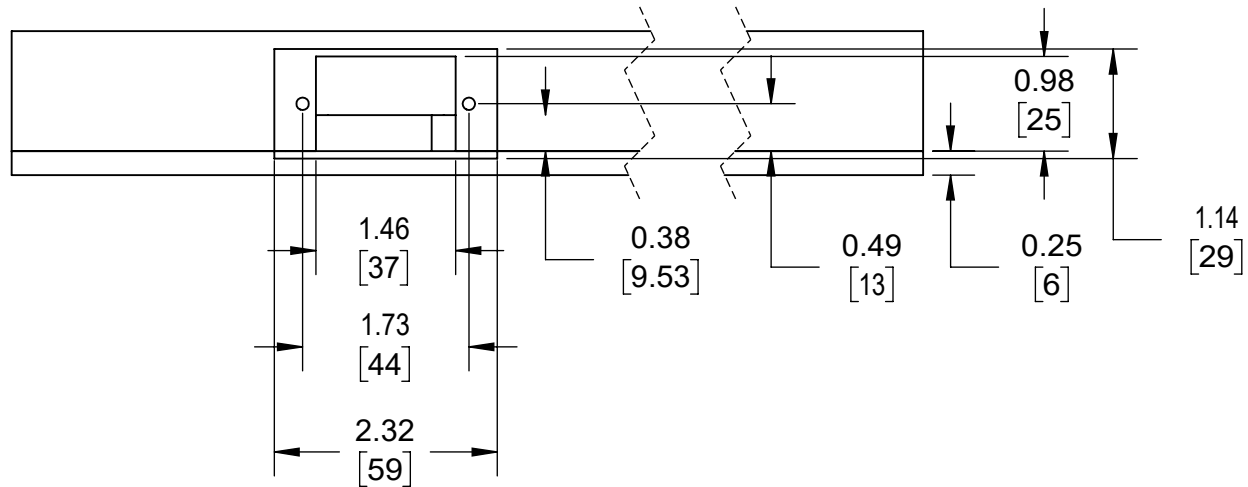
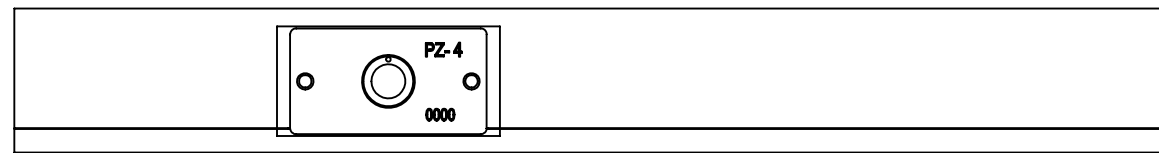
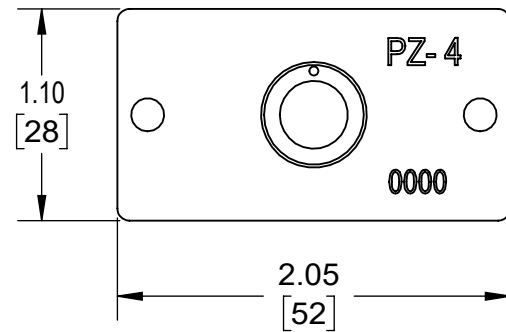


- NOTES:
1. ENCLOSED EJECTOR BOX SUGGESTED.
 2. DO NOT SCALE PRINT
 3. BREAK ALL SHARP EDGES, 0.005 [0.03] R MAX
 4. DIMENSIONS IN INCHES [MM], UNLESS NOTED
 5. TOLERANCES UNLESS SPECIFIED:
 XXX = ±0.003 [0.08]
 XX = ±0.01 [0.3]
 ANGLES = ±3° 30°

DETAIL F
SCALE 1 : 1

 <p>3111 Park Street, Traverse City, MI 49606 231-944-2111 www.rjg.com</p>	Description: 9211 Sensor Installation
	Drawn: K.J.Brettschneider
	Design:
	Check: M.Groleau
Date: 09.05.2023	

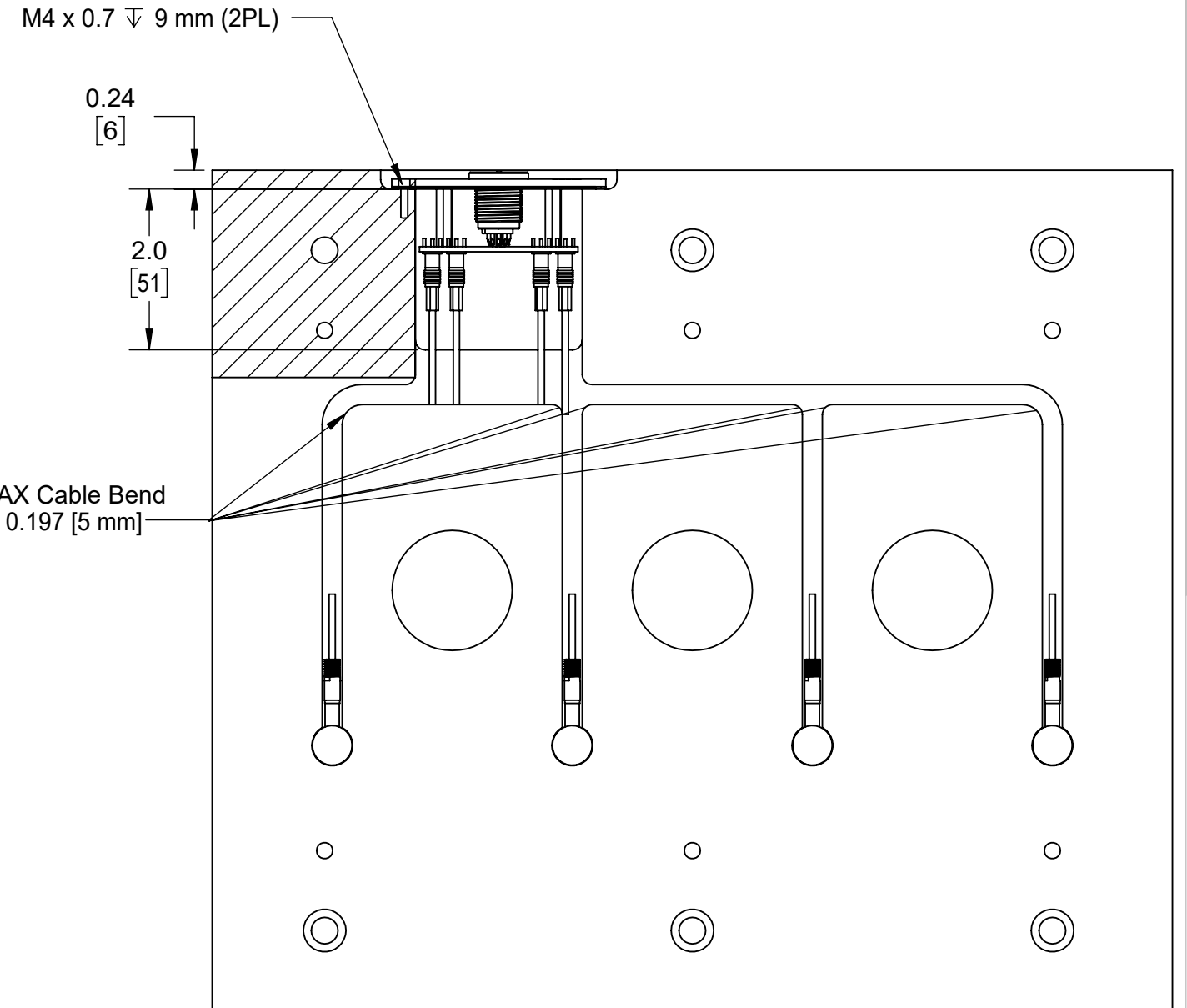
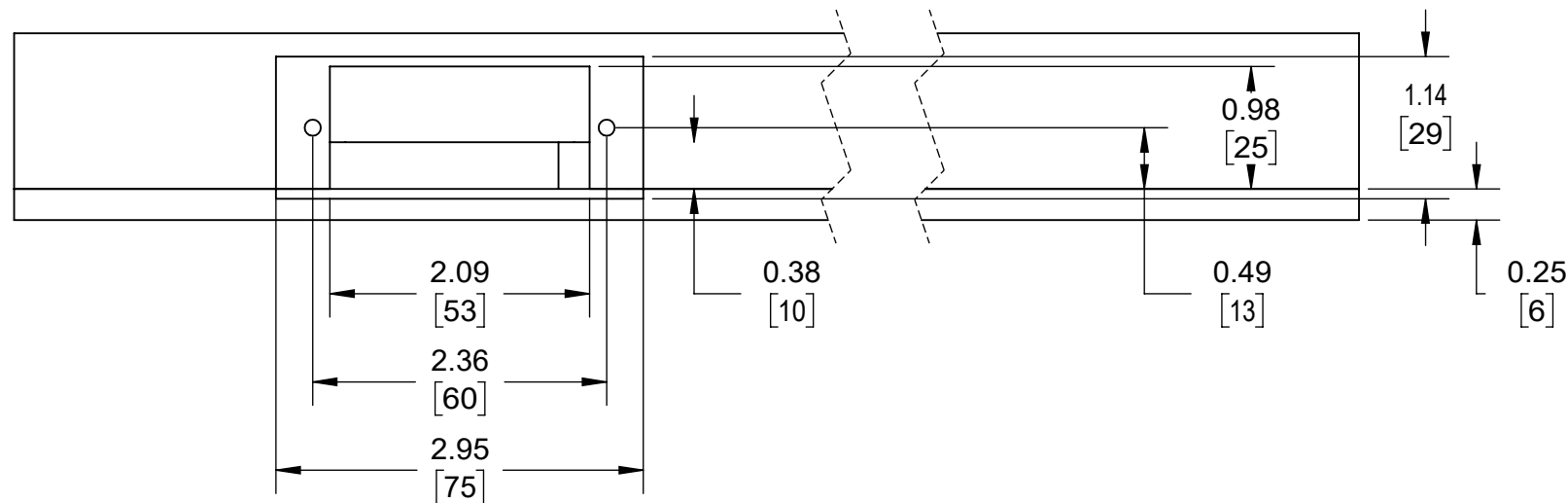
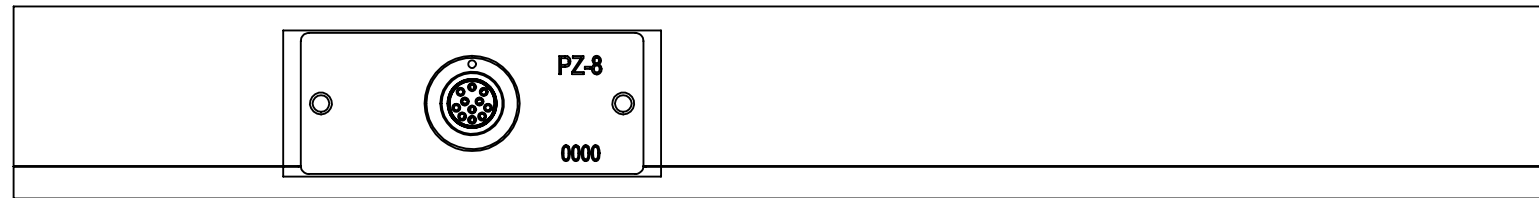
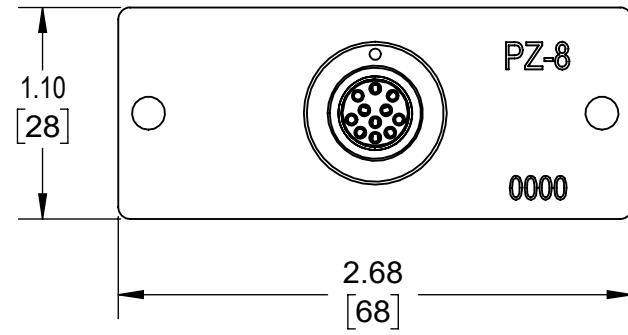
Mutli-Channel 6 mm Piezoelectric Sensor (9211) Installation
Four-Channel Piezoelectric Sensor Connector PZ-4 Installation




- NOTES:
1. ENCLOSED EJECTOR BOX SUGGESTED.
 2. DO NOT SCALE PRINT
 3. BREAK ALL SHARP EDGES, 0.005 [0.03] R MAX
 4. DIMENSIONS IN INCHES [MM], UNLESS NOTED
 5. TOLERANCES UNLESS SPECIFIED:
 XXX = ±0.003 [0.08]
 XX = ±0.01 [0.3]
 ANGLES = ±3° 30°

 3111 Park Street, Traverse City, MI 49686 231-944-2111 WWW.RJG.MI	Description: 9211 Sensor Installation
	Drawn: K.J.Brettschneider
	Design:
	Check: M.Groleau
	Date: 09.05.2023

Multi-Channel 6 mm Piezoelectric Sensor (9211) Installation
 Eight-Channel Piezoelectric Sensor Connector PZ-8 Installation

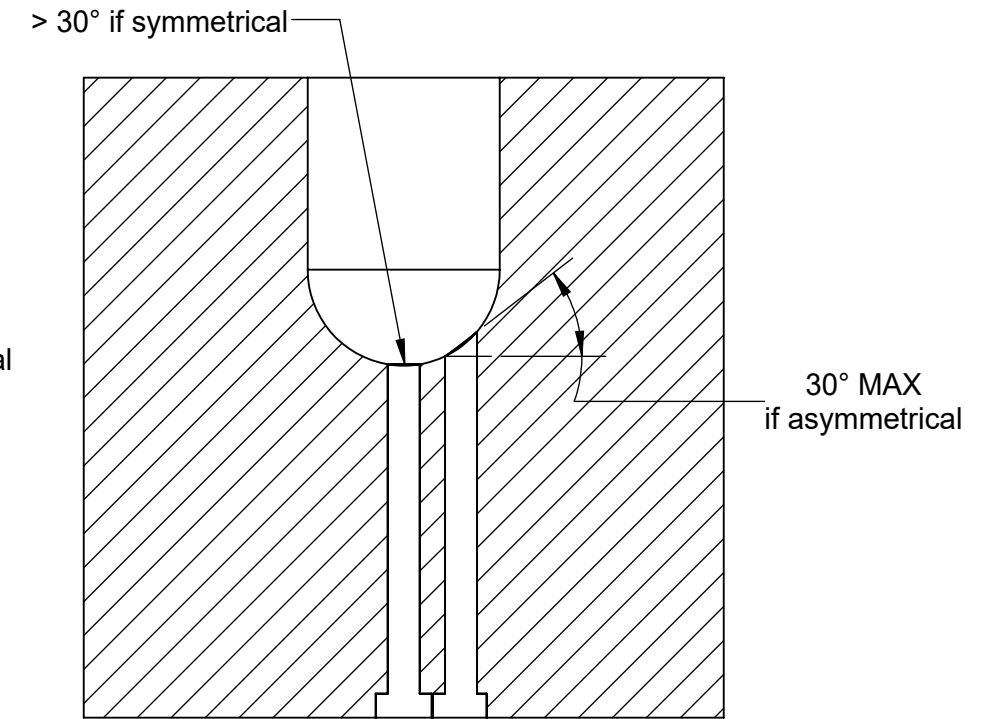
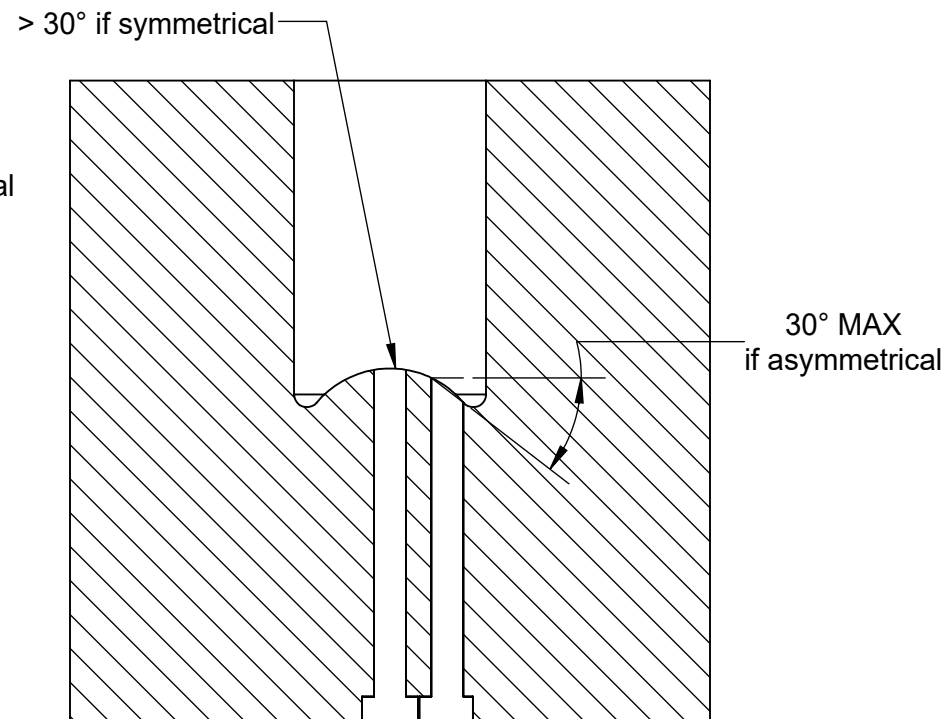
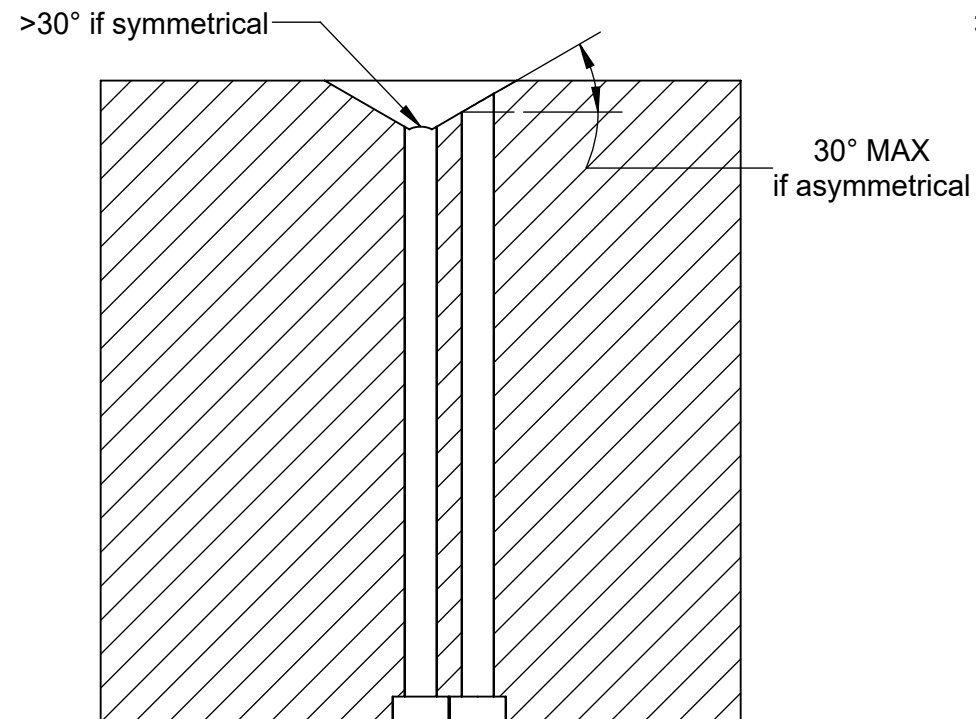
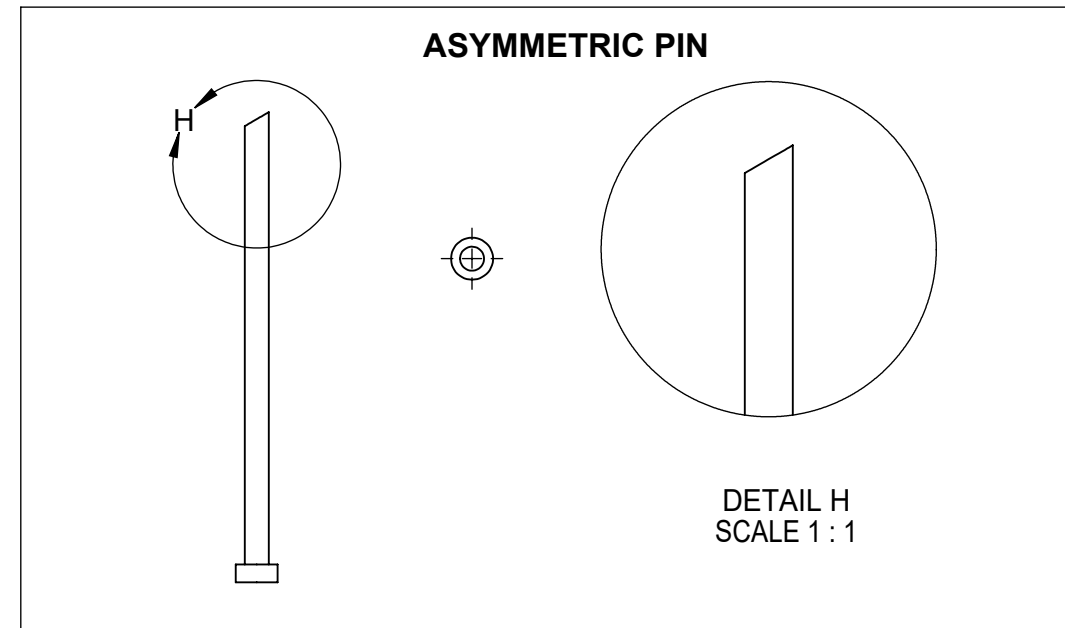
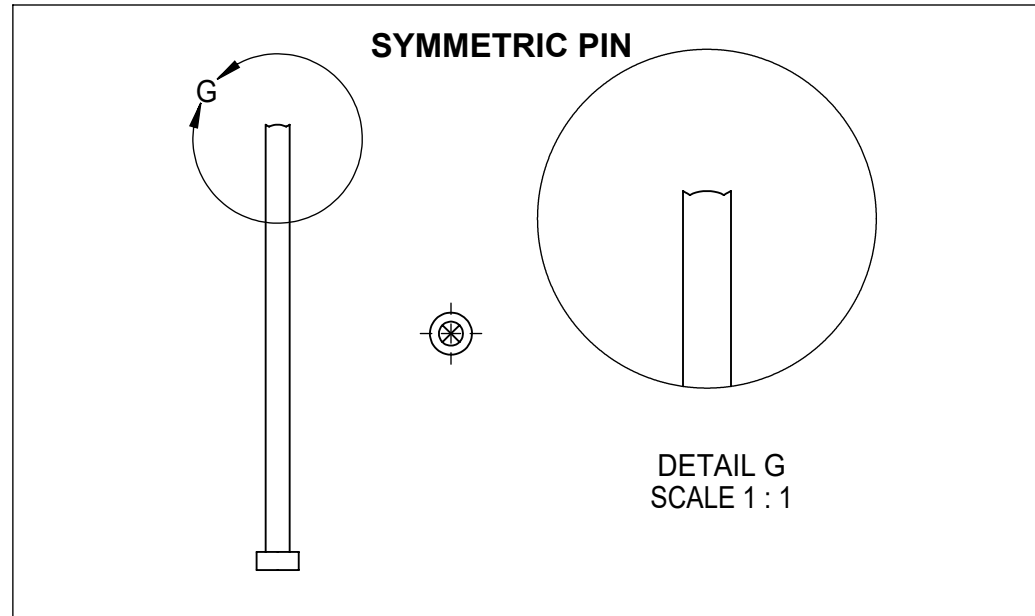


- NOTES:
1. ENCLOSED EJECTOR BOX SUGGESTED.
 2. DO NOT SCALE PRINT
 3. BREAK ALL SHARP EDGES, 0.005 [0.03] R MAX
 4. DIMENSIONS IN INCHES [MM], UNLESS NOTED
 5. TOLERANCES UNLESS SPECIFIED:
 XXX = ±0.003 [0.08]
 XX = ±0.01 [0.3]
 ANGLES = ±3° 30°


 <p>3111 Park Street, Traverse City, MI 49686 231-944-2111 www.rjg.com</p>	Description: 9211 Sensor Installation
	Drawn: K.J.Brettschneider
	Design:
	Check: M.Groleau
Date: 09.05.2023	

9211 Sensor Installation—Contoured Pin Angle Specification

NOTE: Contoured/angled pins (asymmetric) not to exceed 30° MAX unless pin design is symmetrical to provide even, downward pressure across pin surface to loading of sensor. Contact RJG Customer Support for assistance in verification of contoured/angled pin use.



- NOTES:
1. ENCLOSED EJECTOR BOX SUGGESTED.
 2. DO NOT SCALE PRINT
 3. BREAK ALL SHARP EDGES, 0.005 [0.03] R MAX
 4. DIMENSIONS IN INCHES [MM], UNLESS NOTED
 5. TOLERANCES UNLESS SPECIFIED:
 XXX = ±0.003 [0.08]
 XX = ±0.01 [0.3]
 ANGLES = ±3° 30°

 <p>3111 Park Street, Traverse City, MI 49686 231-944-2111 WWW.RJG.MI</p>	Description: 9211 Sensor Installation
	Drawn: K.J.Brettschneider
	Design: M.Groleau
	Date: 09.05.2023