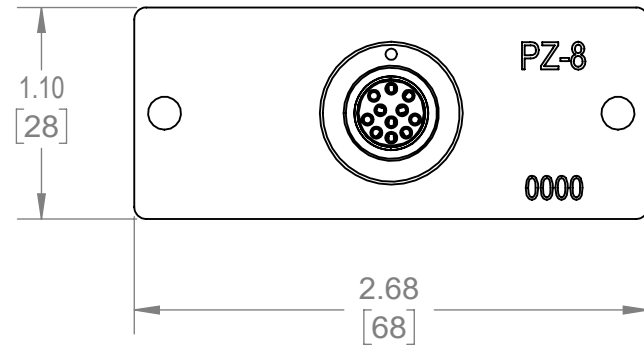
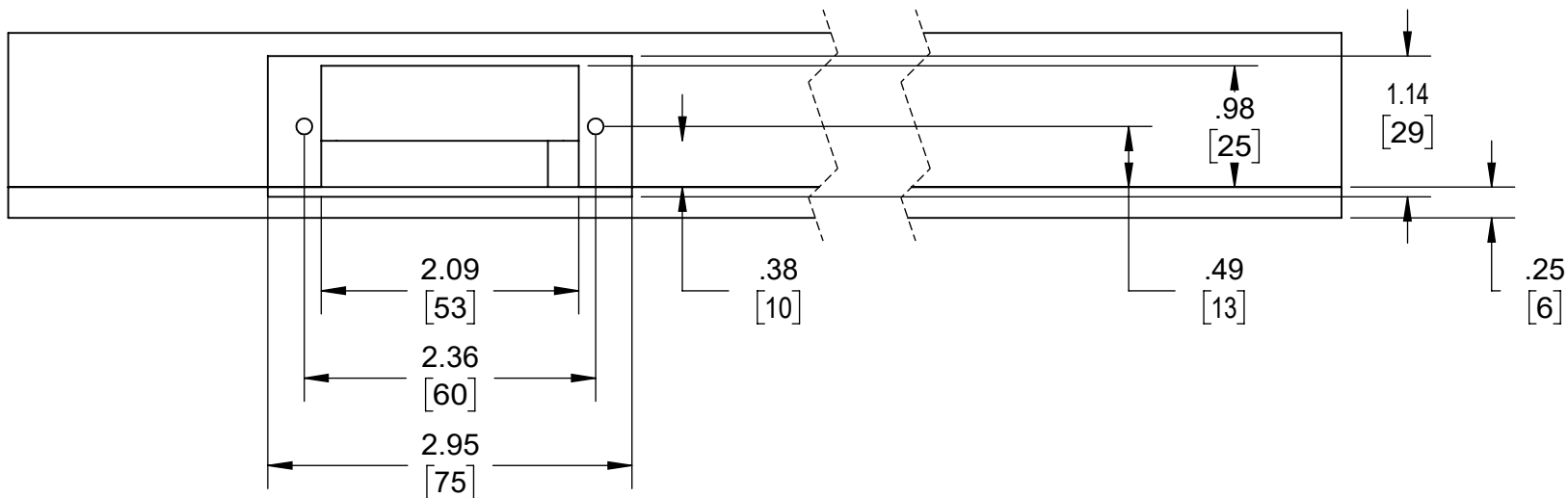
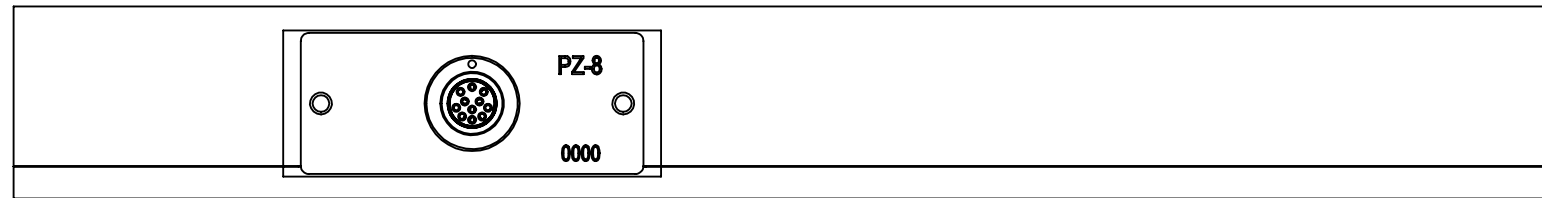
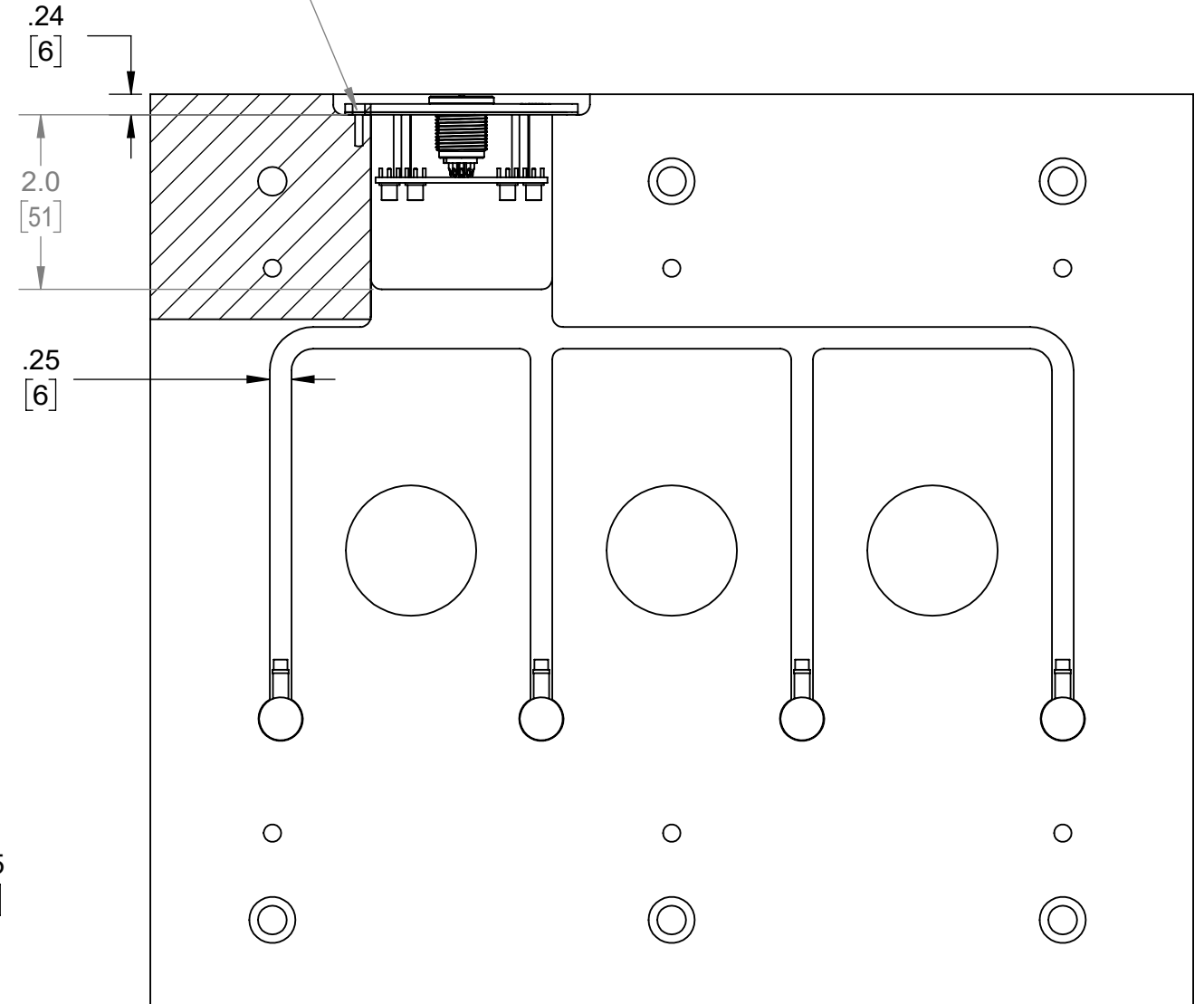


# Drawing Title: PZ-8 Install

## Eight-Channel Piezoelectric Sensor Connector PZ-8 Installation



M4 x 0.7  $\nabla$  9 mm (2PL)



### NOTES:

1. DO NOT SCALE PRINT
2. BREAK ALL SHARP EDGES, 0.005 [0.03] R MAX
3. DIMENSIONS IN INCHES [MM], UNLESS NOTED
4. TOLERANCES UNLESS SPECIFIED:  
 XXX =  $\pm 0.003$  [0.08]  
 XX =  $\pm 0.01$  [0.3]  
 ANGLES =  $\pm 3^\circ$  30°



Description: PZ-8 Install  
 Drawn: K.J.Brettschneider  
 Design:  
 Check: M.Groleau  
 Date: 01.03.2023